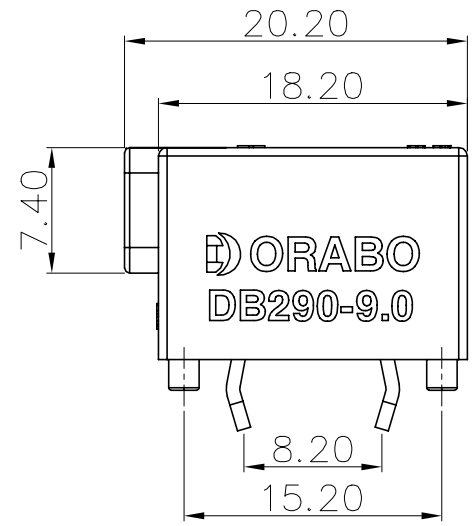
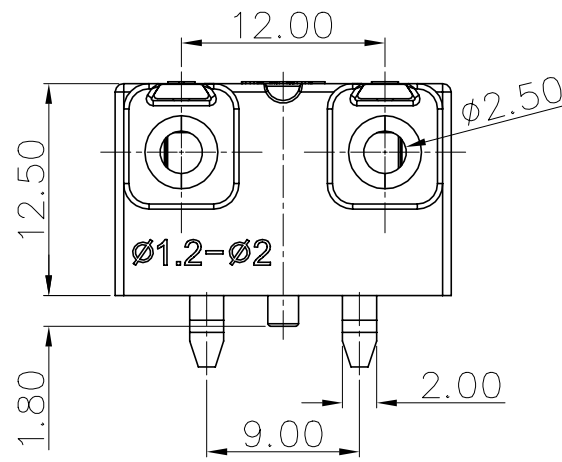
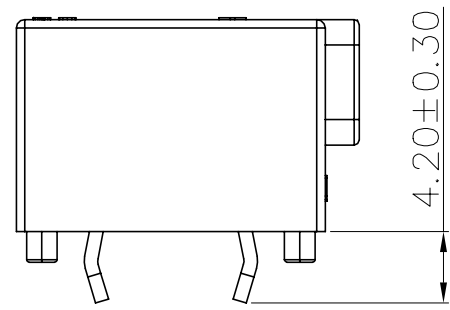
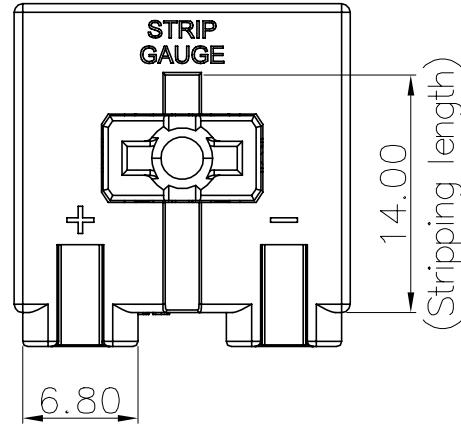


未注公差/General tolerances(mm)											0.1/10 ±Z		
0 ~ 3	>3 ~ 6	>6 ~ 10	>10 ~ 18	>18 ~ 30	>30 ~ 50	>50 ~ 80	>80 ~ 120	>120 ~ 180	>180 ~ 250	>250 ~ 315		>315 ~ 400	>400 ~ 500
±0.12	±0.18	±0.22	±0.26	±0.31	±0.37	±0.57	±0.80	±0.93	±1.05	±1.15	±1.60	±2.20	±2.50

REV	ECN	DESCRIPTION	DRFT	DATE

DB290R — 9.0 — XXP — C
 (Series No.) (Pitch) (Poles)

(Color):GN:(Green), BK:(Black), BU:(Blue), RD:(Red), GY:(Gray)
 OG:(Orange), WT:(White), YL:(Yellow), CR:(Clear)



UL 标准/UL Standard:	B	C	D
额定电压/电流/Rated Voltage(V)/Current(A)	300/20	/	-/-
IEC 标准/IEC Standard:			
过压类别/Overvoltage Category/污染等级/Pollution Degree	III/3	III/2	II/2
额定电压/电流/Rated Voltage(V)/Current(A)	-/-	-/-	-/-
额定脉冲电压(KV)/Rate Impulse Voltage(KV)			
螺丝扭矩/Torque Tightening(N·m/Lb.in)		7	
线径范围(硬线和软线)/Wire Range(rigid and flexible)(mm ² /AWG)		φ1.2-φ2.0	
间距/Pitch(mm)/线数范围/Poles		9.0/02P	
剥线长度/Stripping length(mm)		14	
使用温度范围/Operating temperature(°C)		-30~+110	
符合RoHS环保要求/Conform to RoHS		Yes	

NAME OF PART	MATERIAL	NOTES
Spring	Stainless Steel	/
Conductor	Copper alloy	Sn Plated
Button	PBT	UL94V-0
Insulator	PBT	UL94V-0

MAT NO.:	/	NINGBO DORABO ELECTRICAL CO., LTD	
STATUS:	/	NAME: DB290R-9.0-02P-C	
APPD: MARK	2025.03.28	DRAWING NO.:	
CHKD: MARK	2025.03.28	REV	
DRFT: MARK	2025.03.28	MO	
SIZE: A4	mm (inch)	TYPE: CUSTOMER_DRAWING	SCALE: SHEET 1/1