

未注公差/General tolerances(mm)												0.1/10 ±2°	
0 ~ 3	>3 ~ 6	>6 ~ 10	>10 ~ 18	>18 ~ 30	>30 ~ 50	>50 ~ 80	>80 ~ 120	>120 ~ 180	>180 ~ 250	>250 ~ 315	>315 ~ 400		>400 ~ 500
±0.12	±0.18	±0.22	±0.26	±0.31	±0.37	±0.57	±0.80	±0.93	±1.05	±1.15	±1.60	±2.20	±2.50

REV	ECN	DESCRIPTION	DRFT	DATE

A

B

C

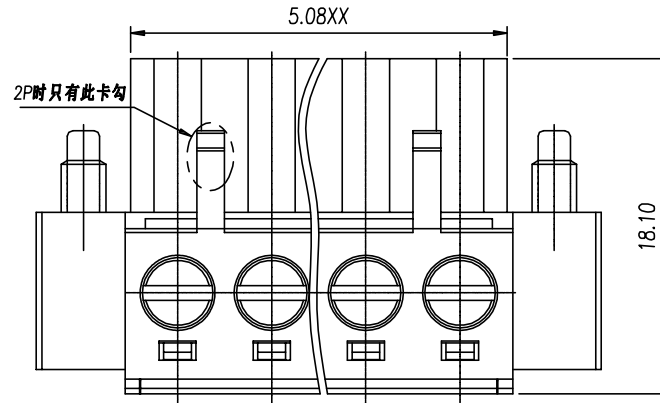
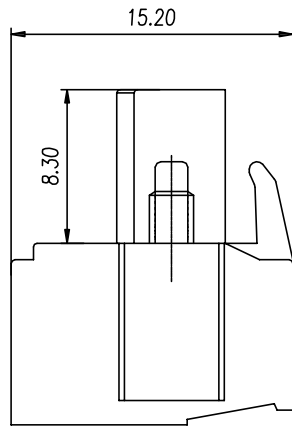
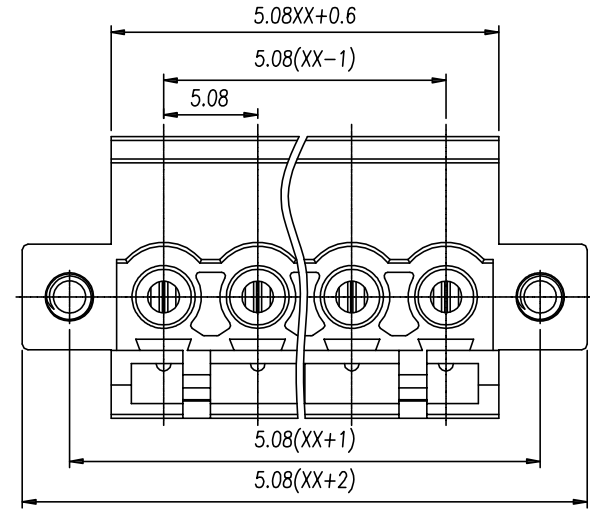
D

A

B

C

D



UL 标准/UL Standard:	B	C	D
额定电压/电流/Rated Voltage(V)/Current(A)	300/15	/	300/10
IEC 标准/IEC Standard:			
过压类别/Overvoltage Category/污染等级/Pollution Degree	III/2		
额定电压/电流/Rated Voltage(V)/Current(A)	320/200		
额定脉冲电压(KV)/Rate Impulse Voltage(KV)	4.0		
螺丝扭矩/Torque Tightening(N·m/Lb.in)	M3/0.5		
线径范围(硬线和软线)/Wire Range(rigid and flexible)(mm ² /AWG)	0.2~2.5/28~12		
间距/Pitch(mm)/线数范围/Poles	5.08/XX=02~24P		
剥线长度/Stripping length(mm)	7~8		
使用温度范围/Operating temperature(°C)	-40~+105		
符合RoHS环保要求/Conform to RoHS	Yes		

DB2EKFM — 5.08 — XXP — C — S/P
 (Series No.) (Pitch) (Poles) Slottef/Phillips

(Color) : GN:(Green), BK:(Black), BU:(Blue), RD:(Red), GY:(Gray)
 OG:(Orange), WT:(White), YL:(Yellow), CR:(Clear)

MAT NO.:	/
STATUS:	/
APPD: MARK	2024.10.26
CHKD: MARK	2024.10.26
DRFT: MARK	2024.10.26
SIZE: A4	mm (inch)

Spring	Stainless Steel	/
Conductor	Copper alloy	Sn Plated
Button	PA66	UL94V-0
Insulator	PA66	UL94V-0
NAME OF PART	MATERIAL	NOTES

宁波地博电气有限公司 NINGBO DORABO ELECTRICAL CO., LTD	
NAME: DB2EKFM-5.08-XXP-C-S	
DRAWING NO.:	/
REV	MO
TYPE: CUSTOMER_DRAWING	SCALE: SHEET 1/1

1

2

3

4

5

6