

公差/General tolerances(mm)													
0	>3	>6	>10	>18	>30	>50	>80	>120	>180	>250	>315	>400	>500
~3	~6	~10	~18	~30	~50	~80	~120	~180	~250	~315	~400	~500	~500
±0.12	±0.18	±0.22	±0.26	±0.31	±0.37	±0.57	±0.80	±0.93	±1.05	±1.15	±1.60	±2.20	±2.50

0.1/10
±2°

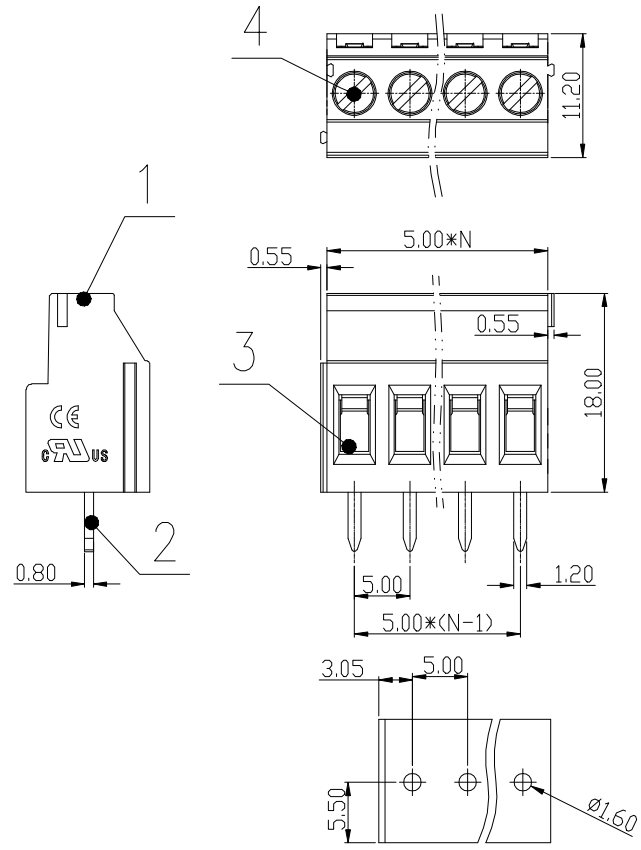
REV	ECN	DESCRIPTION	DRFT	DATE

A

B

C

D



DB130V - 5.0 - XXP - C - S/P
 (Series No.) (Pitch) (Poles) **Slotted/Phillips**
 (Color):GN:(Green), BK:(Black), BU:(Blue), RD:(Red), GY:(Gray)
 OG:(Orange), WT:(White), YL:(Yellow), CR:(Clear)

JL 标准/UL Standard:	B	C	D
额定电压/电涌/Rated Voltage(V)/Current(A)	300/20	/	300/10
IEC 标准/IEC Standard:			
过电压类别/Overvoltage Category/污染等级/Pollution Degree	III/2		
额定电压/电涌/Rated Voltage(V)/Current(A)	250/20		
螺栓扭矩/Torque Tightening(N·m/Lb.in)	M3, 0.5/4.43		
线径范围(硬线和软线)/Wire Range(rigid and flexible)(mm ² /AWG)	0.5~2.5/26~12		
间距/Pitch(mm) 极数范围/Poles	5.00/N=2~24P		
剥线长度/Stripping length(mm)	8~9		
使用温度范围/Operating temperature(°C)	-40~+105		
符合RoHS环保要求/Conform to RoHS	Yes		

ITEM	NAME OF PART	MATERIAL	NOTES
4	Screw	Steel	M3/Zn Plated
3	Cage	Copper alloy	M3/Ni Plated
2	Pin header	Copper alloy	Sn Plated
1	Housing	PA66	UL94V-0

MAT NO: /	ORABO 宁波地博电气有限公司 NINGBO DORABO ELECTRICAL CO., LTD		
STATUS: /	NAME: DB130V-5.0-XXP-C-S		
APPD: HQ 2024.10.14	DRAWING NO: /		
CHKD: HQ 2024.10.14	REV: M1		
DRFT: HQ 2024.10.14	DATE: /		
SIZE A4	TYPE: CUSTOMER_DRAWING	SCALE: 1:1	SHEET 1/1

1

2

3

4

5

6