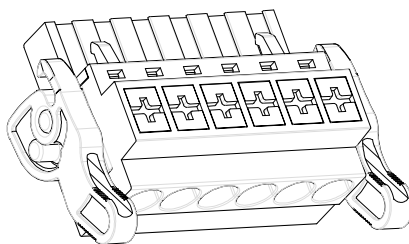
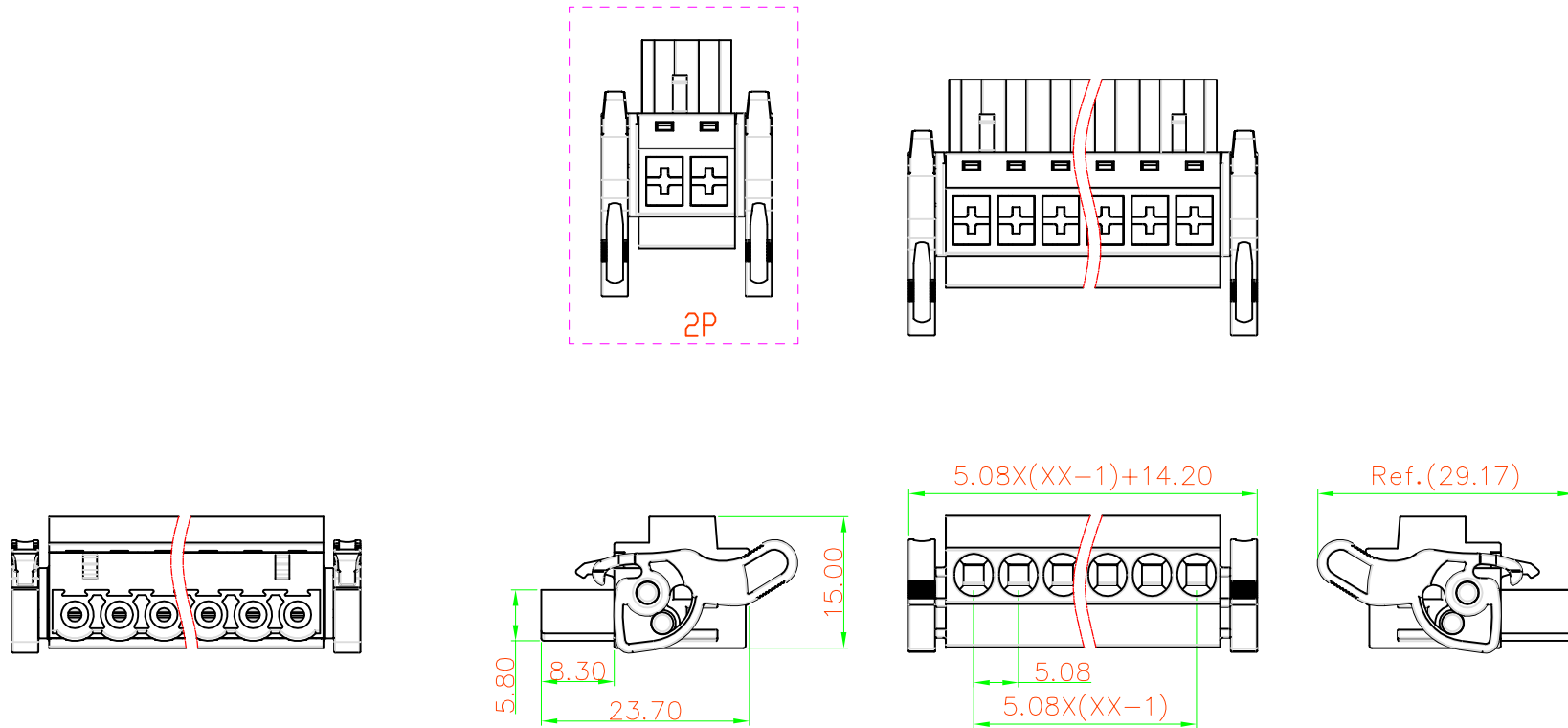


| 未注公差/General tolerances(mm) | | | | | | | | | | | | | | |
|-----------------------------|-------|-------|-------|-------|-------|-------|-------|-------|-------|-------|-------|-------|-------|---------------|
| 0 | >3 | >6 | >10 | >18 | >30 | >50 | >80 | >120 | >180 | >250 | >315 | >400 | >500 | 0.1/10 ±2' |
| 3 | 6 | ~ | 18 | 30 | 50 | 80 | 120 | 180 | 250 | 315 | 400 | 500 | ±2.50 | |
| ±0.12 | ±0.18 | ±0.22 | ±0.26 | ±0.31 | ±0.37 | ±0.57 | ±0.80 | ±0.93 | ±1.05 | ±1.15 | ±1.60 | ±2.20 | ±2.50 | |

| REV | ECN | DESCRIPTION | DRFT | DATE |
|-----|-----|-------------|------|------|
| | | | | |



| | | | |
|--|---------------|--------|--------|
| UL 标准/UL Standard: | B | C | D |
| 额定电压/电流/Rated Voltage(V)/Current(A) | 300/15 | / | 300/10 |
| IEC 标准/IEC Standard: | | | |
| 过压类别/Overvoltage Category/污染等级/Pollution Degree | III/3 | III/2 | II/2 |
| 额定电压/电流/Rated Voltage(V)/Current(A) | 250/18 | 320/18 | 630/18 |
| 额定脉冲电压(KV)/Rate Impulse Voltage(KV) | 4 | 4 | 4 |
| 螺丝扭矩/Torque Tightening(N·m/Lb.in) | / | | |
| 线径范围(硬线和软线)/Wire Range(rigid and flexible)(mm ² /AWG) | 0.2~2.5/28~12 | | |
| 间距/Pitch(mm)/线数范围/Poles | 5.08/N=02~24P | | |
| 剥线长度/Stripping length(mm) | 10~11 | | |
| 使用温度范围/Operating temperature(°C) | -40~+105 | | |
| 符合RoHS环保要求/Conform to RoHS | Yes | | |

| | | |
|--------------|-----------------|-----------|
| Lever | PA66 | UL94V-0 |
| Button | PA66 | UL94V-0 |
| Spring | Stainless steel | SUS301 |
| Conductor | Copper alloy | Sn Plated |
| Insulator | PA66 | UL94V-0 |
| NAME OF PART | MATERIAL | NOTES |

| | | | | |
|------------|------------|-----------------------------------|--------|-----------|
| MAT NO.: | / | DORABO 宁波地博电气有限公司 | | |
| STATUS: | / | NINGBO DORABO ELECTRICAL CO., LTD | | |
| APPD: MARK | 2024.03.20 | NAME: DB2EKSG-5.08 | | |
| CHKD: MARK | 2024.03.20 | DRAWING NO.: XX | | |
| DRFT: MARK | 2024.03.20 | REV | MO | |
| SIZE: A4 | mm (inch) | TYPE: CUSTOMER_DRAWING | SCALE: | SHEET 1/1 |