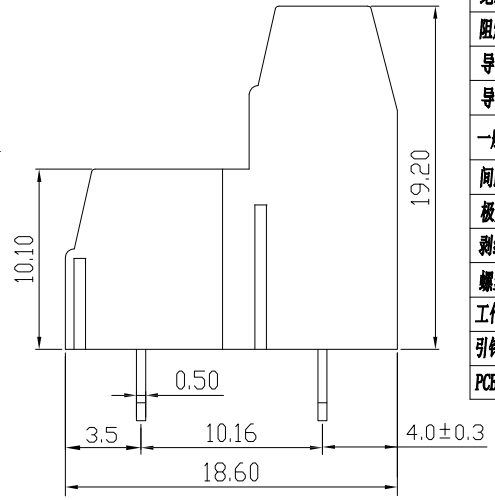
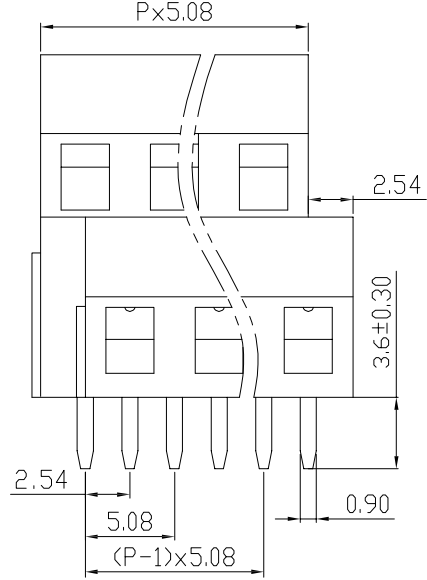
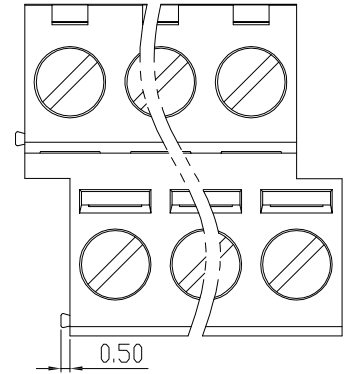
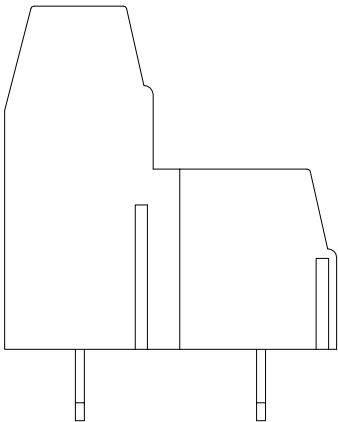
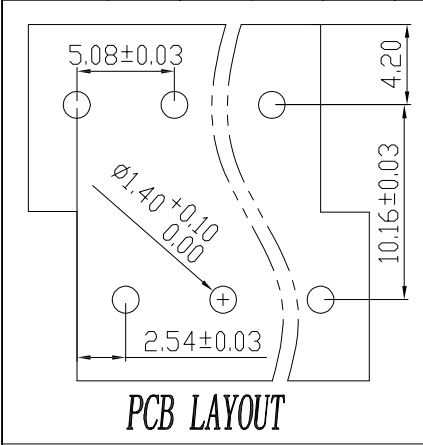


linear dimension(Tolerances Standard GB/T 14486-2008)								—	∇	\perp
variable range	to 6	over 6 to 10	over 10 to 30	over 30 to 60	over 60 to 100	over 100 to 160	over 160 to	to 0.10	over 0.30 to 100	over 0.60 to
tolerance	±0.20	±0.30	±0.50	±0.70	±1.00	±1.30	±1.60	0.10	0.30	0.60



UL/CUL 技术参数	UL/CUL Technical Data			CUL US		
等级 Use Group	B	C	D			
额定电压 Rated Voltage [V]	300	-	300			
额定电流 Rated Current [A]	10	-	10			
接线范围 Wire Range	26-14					
单/多芯线 Solid/Stranded [AWG]						
耐电压 Withstanding Voltage	1600V/1Min					
IEC 技术参数						
IEC Technical Data						
过电压类别 Overvoltage Category	III	III	II			
污染等级 Contamination Class	3	2	2			
额定电压 Rated Voltage [V]	250	400	500			
额定电流 Rated Current [A]	15	15	15			
额定冲击电压 Impulse withstand voltagea [KV]	4.0	4.0	4.0			
导线截面积 Conductor cross section	1.5					
硬质/柔性导线 Solid/ flexible [mm ²]						
材料 Material						
绝缘材料 Insulation Material	PA66					
阻燃等级 Inflammability	UL94V-0					
导体材料 Contactor Material	铜合金 Copper alloy					
导体表面镀层 Contactive Coating	镀锡 Tin Plated					
一般参数 Other Data						
间距 Pitch [mm]	5.08					
极数 Poles [P]	2-24					
剥线长度 Stripping Length [mm]	4-5					
螺丝 Screw/扭矩 Torque(Max) [N.m]	M2.5/0.4					
工作温度 Operating temperatur [°C]	-40→+105					
引针尺寸 Pin Dimensions [mm]	4.0					
PCB板孔径 PCB Hole Diameter [mm]	1.4					

DB127A — 5.08 — XXP — C — S/P

(Series No.) (Pitch) (Poles)

Slottef/Phillips

(Color) : GN:(Green) , BK:(Black) , BU:(Blue) , RD:(Red) , GY:(Gray)
OG:(Orange) , WT:(White) , YL:(Yellow) , CR:(Clear)

APPD: JTING Chen 2022.4.6

CHKD: Duck Mao 2022.4.6

DRFT: Steven Lu 2022.4.6

DORABO 宁波地博电气有限公司
Ningbo Dorabo Electric CO., Ltd

NAME: DB127A-5.08-XXP-C-S

TYPE: CUSTOMER_DRAWING

SIZE: A4

SCALE: 1:1

REV TO-1

SHEET 1/1