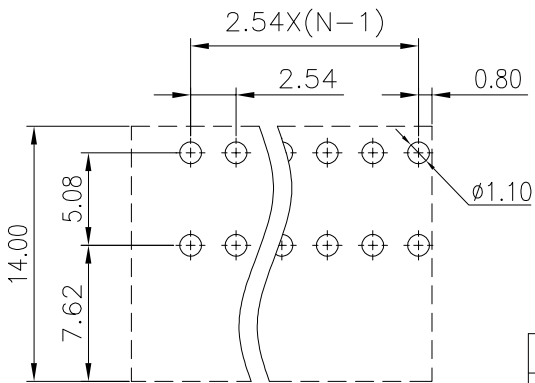
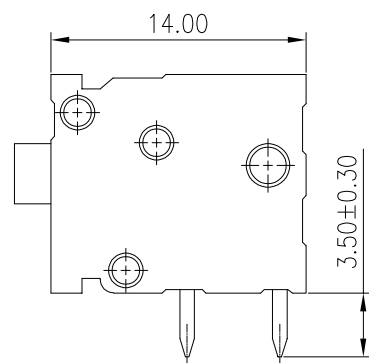
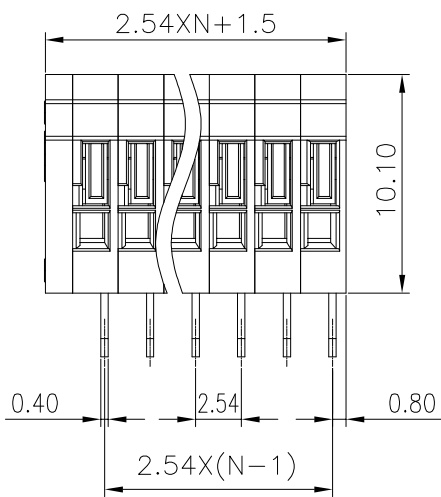
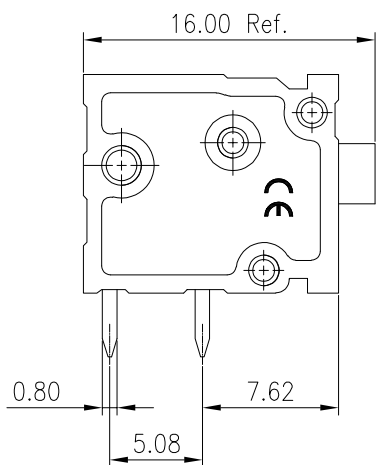


未注公差/General tolerances(mm)													
0	>3	>6	>10	>18	>30	>50	>80	>120	>180	>250	>315	>400	>500
~	~	~	~	~	~	~	~	~	~	~	~	~	~
3	6	10	18	30	50	80	120	180	250	315	400	500	>500
±0.12	±0.18	±0.22	±0.26	±0.31	±0.37	±0.57	±0.80	±0.93	±1.05	±1.15	±1.60	±2.20	±2.50

0.1/10
±Z

REV	ECN	DESCRIPTION	DRFT	DATE



DB500R — 2.54 — XXP — C
 (Series No.) (Pitch) (Poles)

(Color):GN:(Green), BK:(Black), BU:(Blue), RD:(Red), GY:(Gray)
 OG:(Orange), WT:(White), YL:(Yellow), CR:(Clear)

UL 标准/UL Standard:	B	C	D
额定电压/电流/Rated Voltage(V)/Current(A)	150/5	/	/
IEC 标准/IEC Standard:			
过压类别/Overvoltage Category/污染等级/ Pollution Degree	III/3	III/2	II/2
额定电压/电流/Rated Voltage(V)/Current(A)	/	130/6	/
额定脉冲电压(KV)/Rate Impulse Voltage(KV)	/	1.5	/
螺丝扭矩/Torque Tightening(N·m/Lb.in)	/	/	/
线径范围(硬线和软线)/Wire Range(rigid and flexible)(mm ² /AWG)	/	0.2~0.5/24~20	/
间距/Pitch(mm)/线数范围/Poles	/	2.54/XX=02~32P	/
剥线长度/Stripping length(mm)	/	10~11	/
使用温度范围/Operating temperature(°C)	/	-40~+105	/
符合RoHS环保要求/Conform to RoHS	/	Yes	/

PCB LAYOUT

MAT NO.:	/
STATUS:	/
APPD:	MARK 2024.07.03
CHKD:	MARK 2024.07.03
DRFT:	MARK 2024.07.03
SIZE:	A4

Spring	Stainless Steel	/
Conductor	Copper alloy	Sn Plated
Button	PA66	UL94V-0
Insulator	PA66	UL94V-0
NAME OF PART	MATERIAL	NOTES

宁波地博电气有限公司 NINGBO DORABO ELECTRICAL CO., LTD			
NAME: DB500R-2.54-XXP-C			
DRAWING NO.:		REV	MO
TYPE: CUSTOMER_DRAWING		SCALE:	SHEET 1/1