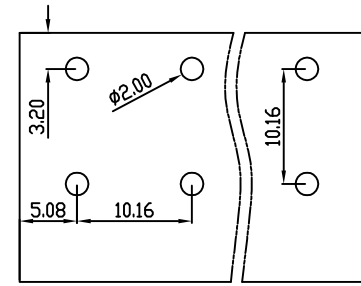
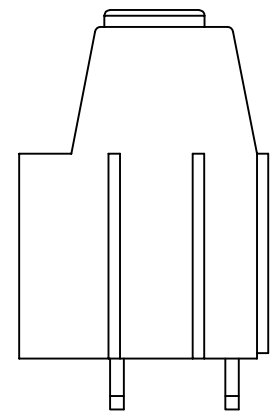
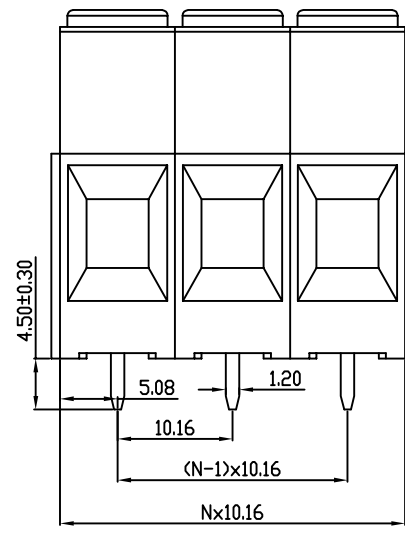
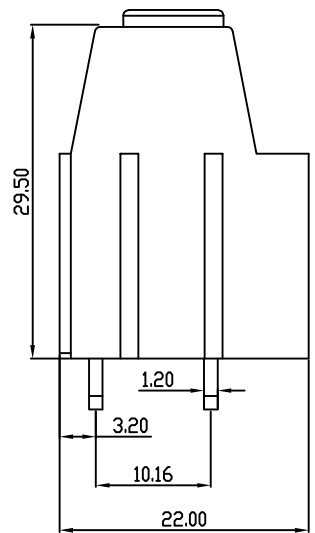
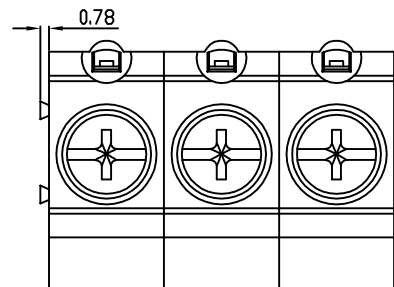


未注公差/General tolerances(mm)													0.1/10
0	>3	>6	>10	>18	>30	>50	>80	>120	>180	>250	>315	>400	
~3	~6	~10	~18	~30	~50	~80	~120	~180	~250	~315	~400	~500	

REV	ECN	DESCRIPTION	DRFT	DATE



PCB Layout

DB136H — 10.16 — XXP — C — S/P
 (Series No.) (Pitch) (Poles) **Slotted/Phillips**
 (Color):GN:(Green), BK:(Black), BU:(Blue), RD:(Red), GY:(Gray)
 OG:(Orange), WT:(White), YL:(Yellow), CR:(Clear)

UL 标准/UL Standard:	B	C	D
额定电压/电流/Rated Voltage(V)/Current(A)	300/65	300/65	/
IEC 标准/IEC Standard:			
过压类别/Overvoltage Category/污染等级/Pollution Degree	III/3	III/2	II/3
额定电压/电流/Rated Voltage(V)/Current(A)	630/65	1000/65	1000/65
额定脉冲电压(KV)/Rate Impulse Voltage(KV)	8	8	8
螺丝扭矩/Torque Tightening(N·m/Lb.in)	M4 1.2N.m/10.53Lb.in		
线径范围(硬线和软线)/Wire Range(rigid and flexible)(mm ² /AWG)	2.5~16/20~6		
间距/Pitch(mm)/线数范围/Poles	10.16/XX=01-24		
剥线长度/Stripping length(mm)	10-11		
使用温度范围/Operating temperature(°C)	-40~+105		
符合RoHS环保要求/Conform to RoHS	Yes		

Screw	Steel	Zn Plated
Cage	Copper alloy	Ni Plated
Pin header	Copper alloy	Sn Plated
Insulator	PA66	UL94V-0
NAME OF PART	MATERIAL	NOTES

MAT NO.:	/	DORABO 宁波地博电气有限公司 NINGBO DORABO ELECTRICAL CO., LTD
STATUS:	/	
APPD: JTING Chen 2024.08.10	NAME:	DB136H-10.16-XXP-C-P
CHKD: Duck Mao 2024.08.10	DRAWING NO.:	/
DRFT: Steven Lu 2024.08.10	REV	M1
SIZE: A4	TYPE: CUSTOMER_DRAWING	SCALE: 1:1 SHEET 1/1