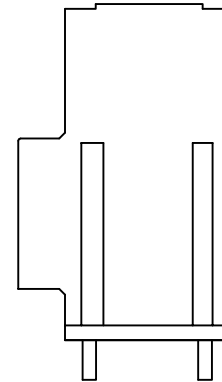
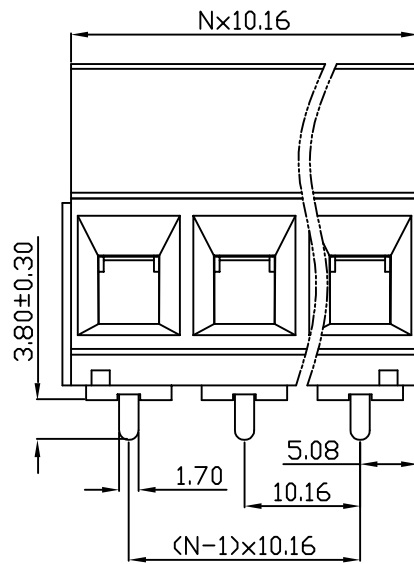
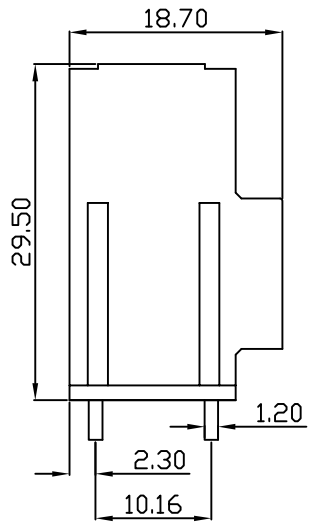
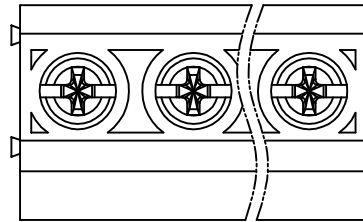
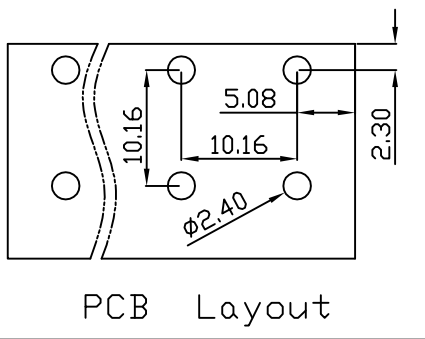


linear dimension(Tolerances Standard GB/T 14486-2008)								—	∕	⊥
variable range	to 6	over 6 to 10	over 10 to 30	over 30 to 60	over 60 to 100	over 100 to 160	over 160 to	to 10	over 10 to 100	over 100 to
tolerance	±0.20	±0.30	±0.50	±0.70	±1.00	±1.30	±1.60	0.10	0.30	0.60



UL/CUL 技术参数	UL/CUL Technical Data			cRUus		
等级	Use Group	B	C	D		
额定电压	Rated Voltage [V]	300	-	600		
额定电流	Rated Current [A]	52	-	5		
接线范围	Wire Range	20-6				
单/多芯线	Solid/Stranded [AWG]					
耐电压	Withstanding Voltage	1600V/1Min				
IEC 技术参数						
IEC Technical Data						
过电压类别	Overvoltage Category	III	III	II		
污染等级	Contamination Class	3	2	2		
额定电压	Rated Voltage [V]	630	1000	1000		
额定电流	Rated Current [A]	57	57	57		
额定冲击电压	Impulse withstand voltagea [KV]	8	8	8		
导线截面积	Conductor cross section	10				
硬质/柔性导线	Solid/flexible [mm²]					
材料						
绝缘材料	Insulation Material	PA66				
阻燃等级	Imflamability	UL94V-0				
导体材料	Contact Material	铜合金 Copper alloy				
导体表面镀层	Contactive Coating	镀锡 Sn Plated				
一般参数						
间距	Pitch [mm]	10.16				
极数	Poles [P]	02-24				
剥线长度	Stripping Length [mm]	10				
螺丝	Screw/扭矩 Torque(Max) [N.m]	M4/1.2				
工作温度	Operating temperatur [°C]	-40~+105				
引针尺寸	Pin Dimensions [mm]	1.20x1.70				
PCB板孔径	PCB Hole Diameter [mm]	2.40				

DB135 — 10.16 — XXP — C — S/P
 (Series No.) (Pitch) (Poles) Slotted/Phillips

(Color):GN:(Green), BK:(Black), BU:(Blue), RD:(Red), GY:(Gray)
 OG:(Orange), WT:(White), YL:(Yellow), CR:(Clear)

APPD: JTING Chen	2022.11.26
CHKD: Duck Mao	2022.11.26
DRFT: Steven Lu	2022.11.26

DORABO

宁波地博电气有限公司
 Ningbo Dorabo Electric CO., Ltd

NAME:

DB135-10.16-XXP-C-P



SIZE: A4

mm (inch)

REV T0-1

TYPE: CUSTOMER_DRAWING

SCALE: 1:1

SHEET 1/1